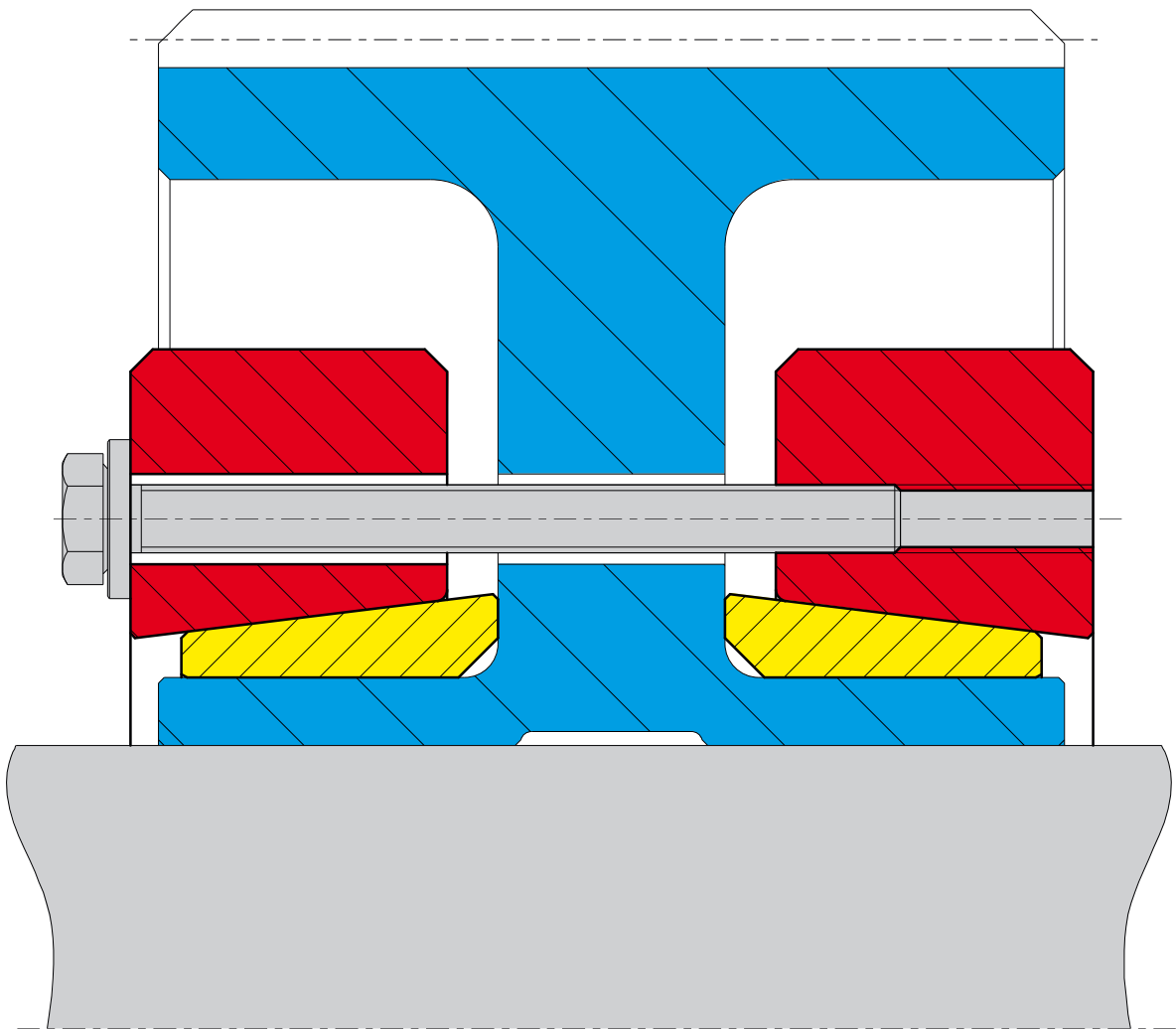
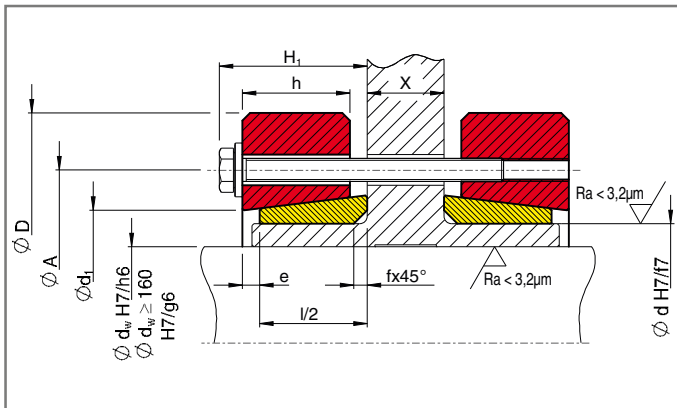


Shrink Disc Type SDG



Shrink Disc SDG

Series 71|72



Code:

M_t maximum transmissible torque of a shrink disc with $P_{ax}=0$

P_{ax} maximum transmissible axial load of a shrink disc with $M_t=0$

M_a required tightening torque of the tightening bolts (see also "Mounting and Removal Instructions")

Dimensions H_1 and e apply to untightened units.

Type	d mm	d _w mm	M _t kNm	P _{ax} kN	M _a Nm	Tightening bolts*	D mm	l/2 mm	h mm	H ₁ mm	A mm	d ₁ mm	e mm	f mm	kg
SDG 24 - 72	24	19	0,23	24	5	6 x M5	50	9	7,8	16	36	26	2	2	0,2
		20	0,27	27											
		21	0,31	29											
SDG 30 - 72	30	24	0,39	32	5	6 x M5	60	10	8,5	17	44	32	2	2	0,3
		25	0,43	35											
		26	0,48	37											
SDG 36 - 72	36	28	0,61	43	12	5 x M6	70	11	10	18	52	38	2	2	0,5
		30	0,73	48											
		33	1,00	59											
SDG 44 - 72	44	34	1,01	59	12	6 x M6	80	12	10,5	19	61	47	2	2	0,6
		35	1,09	62											
		36	1,34	71											
SDG 50 - 72	50	38	1,4	71	12	8 x M6	90	13	11,5	19	75	53	2	2,5	0,8
		40	1,5	77											
		42	1,7	83											
SDG 55 - 72	55	42	1,7	79	12	8 x M6	100	14	12,5	21	75	58	3	2,5	1,1
		45	2,0	88											
		48	2,3	97											
SDG 62 - 72	62	48	2,3	97	12	9 x M6	110	14	12,5	21	86	66	3	2,5	1,3
		50	2,6	103											
		52	2,8	109											
SDG 68 - 72	68	50	2,3	92	12	9 x M6	115	14	12,5	21	86	72	3	2,5	1,4
		55	2,9	105											
		60	3,6	119											
SDG 80 - 72	80	60	3,8	127	29	7 x M8	138	17	13	26	100	84	3	4	2,5
		75	4,6	142											
		70	5,5	158											
SDG 90 - 72	90	65	5,8	179	29	10 x M8	155	20	16,5	30	114	96	4	5	3,7
		85	6,9	198											
		75	8,2	218											
SDG 100 - 72	100	70	7,4	212	29	12 x M8	168	22	19	32	124	104	4	5	4,9
		95	8,7	233											
		80	10,2	254											
SDG 110 - 72	110	80	10,8	270	58	9 x M10	185	24	21,5	36	136	114	5	5	6,2
		105	12,5	294											
		90	14,3	317											
SDG 125 - 72	125	90	15,5	345	58	12 x M10	215	26	23	39	160	134	5	5	9,3
		120	17,6	370											
		130	19,8	395											
SDG 140 - 71	140	95	18,5	389	100	10 x M12	230	28	25	42	175	146	6	5	10,9
		135	23,2	441											
		110	25,7	468											
SDG 155 - 71	155	110	28,9	526	100	12 x M12	263	30	26	44	192	165	6	5	15,8
		150	31,9	555											
		160	35,1	585											

*Tightening bolts: standard DIN ENISO 4014/4017 Güte 10.9, alternative DINENISO4762 Grade 10.9
M 16 and upwards with washers: DINENISO 7416

When ordering please state : SDG 125- 72 x 120 (Type x Ø d) Dimension X

Type	d mm	d _w mm	M _t kNm	P _{ax} kN	M _a Nm	Tightening bolts*	D mm	l/2 mm	h mm	H ₁ mm	A mm	d ₁ mm	e mm	f mm	kg
SDG 165 - 71	160	120	40	669	240	8 x M16	290	33	29	52	210	174	6	5	22
	165	125	44	707											
	170	130	49	747											
SDG 175 - 71	175	130	45	695	240	8 x M16	300	33	29	53	220	185	6	5	23
	180	135	49	732											
		140	54	770											
SDG 185 - 71	185	140	62	885	240	10 x M16	320	40	36	61	236	195	7	5	32
	190	145	67	929											
		150	73	973											
SDG 200 - 71	200	150	82	1088	240	12 x M16	340	40	36	61	246	210	7	5	35
	195	155	88	1136											
		160	95	1184											
SDG 220 - 71	220	160	102	1276	240	15 x M16	370	52	45	76	276	230	7	8	54
		165	110	1332											
		170	118	1388											
SDG 240 - 71	240	170	125	1474	470	12 x M20	405	54	49	80	295	248	7	8	67
		180	143	1591											
		190	162	1710											
SDG 260 - 71	260	190	173	1824	470	12 x M20	430	59	53	84	321	268	8	8	81
		200	196	1957											
		210	219	2090											
SDG 280 - 71	280	210	228	2168	470	15 x M20	460	67	58	93	346	288	9	10	104
		220	254	2308											
		230	282	2449											
SDG 300 - 71	300	220	247	2250	470	16 x M20	485	71	60	96	364	308	9	10	120
		230	275	2389											
		240	304	2529											
SDG 320 - 71	320	240	316	2631	470	18 x M20	520	71	60	96	386	328	9	10	139
		250	347	2779											
		260	381	2928											
SDG 340 - 71	340	250	439	3511	470	24 x M20	570	77	72	103	420	348	9	10	188
		260	480	3691											
		270	523	3873											
SDG 360 - 71	360	270	485	3593	470	24 x M20	590	80	73	106	432	368	9	10	204
	350	280	527	3765											
		290	571	3939											
SDG 390 - 71	390	290	696	4798	820	20 x M24	650	85	76	111	468	397	9	13	268
	380	300	751	5005											
		310	808	5213											
SDG 420 - 71	420	320	763	4768	820	20 x M24	670	95	82	121	504	428	10	13	302
		330	818	4960											
		340	876	5153											
SDG 440 - 71	440	340	927	5456	820	24 x M24	740	99	86	128	527	448	10	13	409
		350	990	5660											
		360	1056	5864											
SDG 460 - 71	460	360	1085	6028	820	24 x M24	760	99	86	126	547	468	10	13	441
		370	1154	6237											
		380	1225	6447											
SDG 480 - 71	480	380	1257	6618	820	28 x M24	785	109	97	141	570	490	12	15	521
		390	1333	6835											
		400	1411	7053											
SDG 500 - 71	500	400	1521	7603	1100	24 x M27	850	109	96	143	590	508	12	15	601
		410	1607	7839											
		420	1696	8076											
SDG 530 - 71	530	430	2086	9704	1100	30 x M27	910	122	108	156	620	538	12	15	779
		440	2195	9978											
		450	2307	10253											
SDG 560 - 71	560	450	2167	9631	1100	30 x M27	940	122	108	156	650	568	12	15	811
		460	2275	9891											
		470	2386	10152											

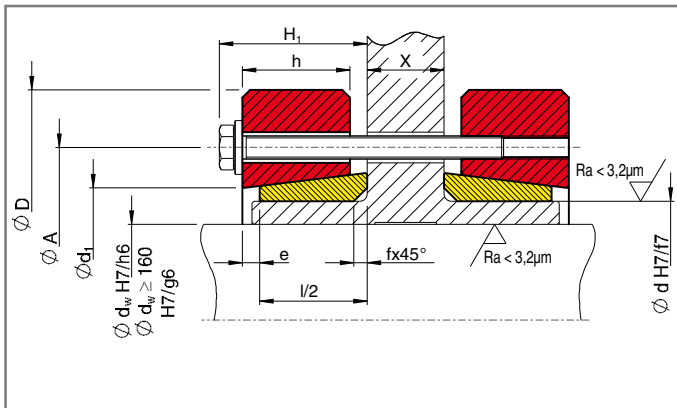
Further sizes on request.
Technical changes to be reserved without notice.

*Tightening bolts: standard DIN EN ISO 4014/4017 Güte 10.9, alternative DIN EN ISO 4762 Grade 10.9
M 16 and upwards with washers: DIN EN ISO 7416

When ordering please state : SDG340- 71 x340 (Type x Ød) Dimension X

Shrink Disc SDG

Series 91



Code:

- M_t maximum transmissible torque of a shrink disc with $P_{ax}=0$
- P_{ax} maximum transmissible axial load of a shrink disc with $M_t=0$
- M_a required tightening torque of the tightening bolts (see also "Mounting and Removal Instructions")

Dimensions H_1 and e apply to untightened units.

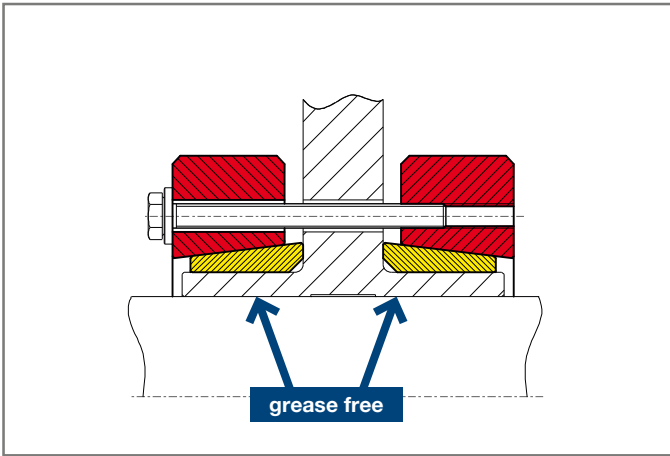
Type	d mm	d _w mm	M _t kNm	P _{ax} kN	M _a Nm	Tightening bolts*	D mm	l/2 mm	h mm	H ₁ mm	A mm	d ₁ mm	e mm	f mm	kg
SDG 140 - 91	140	95	23	476	100	12 x M12	230	35	32	50	175	145	7	5	14
		100	26	514											
		110	32	591											
SDG 155 - 91	155	110	34	618	100	15 x M12	263	38	35	53	198	165	7	5	20
		160	38	659											
		120	42	699											
SDG 165 - 91	165	120	49	818	240	10 x M16	290	41	38	63	210	176	8	5	27
		170	54	866											
		130	59	915											
SDG 175 - 91	175	130	55	852	240	10 x M16	300	41	38	63	220	186	8	5	28
		180	61	898											
		140	66	944											
SDG 185 - 91	185	140	93	1329	240	15 x M16	320	50	50	74	236	189	10	5	41
		190	101	1392											
		150	109	1456											
SDG 200 - 91	200	150	105	1393	240	15 x M16	340	51	50	75	246	204	10	5	45
		195	113	1455											
		160	121	1517											
SDG 220 - 91	220	160	140	1744	240	20 x M16	370	65	57	88	270	224	10	8	67
		165	150	1820											
		170	161	1895											
SDG 240 - 91	240	170	172	2025	470	15 x M20	405	68	65	97	295	244	12	8	84
		180	197	2184											
		190	223	2345											
SDG 260 - 91	260	190	205	2162	470	16 x M20	430	76	72	104	321	265	12	8	104
		200	232	2323											
		210	261	2486											
SDG 280 - 91	280	210	301	2870	470	20 x M20	460	84	78	113	340	285	12	10	131
		220	336	3054											
		230	373	3239											
SDG 300 - 91	300	220	307	2790	470	20 x M20	485	86	80	115	364	305	12	10	146
		230	341	2962											
		240	376	3137											
SDG 320 - 91	320	240	422	3518	470	24 x M20	520	90	82	116	386	325	12	10	176
		250	464	3710											
		260	507	3903											
SDG 340 - 91	340	250	515	4118	820	20 x M24	570	98	92	129	420	345	12	10	239
		260	564	4335											
		270	615	4554											
SDG 360 - 91	360	270	571	4232	820	20 x M24	590	100	92	131	432	365	12	10	255
		350	622	4440											
		290	674	4648											
SDG 390 - 91	390	300	793	5289	820	24 x M24	660	109	96	139	468	397	12	15	361
		380	855	5514											
		320	919	5741											

Further sizes on request. Technical changes to be reserved without notice.

*Tightening bolts: standard DIN EN ISO 4014/4017 Güte 10.9, alternative DIN EN ISO 4762 Grade 10.9

M 16 and upwards with washers: DIN EN ISO 7416 When ordering please state : SDG200-91 x200 (Type x Ød) Dimension X

Mounting and Removal Instructions for Shrink Disc Type SDG



Mounting

The STÜWE® shrink discs type SDG are supplied ready to be installed. The conical surfaces are greased with a solid lubricant with a coefficient of friction of $\mu=0,04$ (MoS_2).

1. Degrease hub bore and shaft.
2. Push shrink disc on hub. The outer surface of the hub may be greased in the area of the shrink disc fit.



Do not tighten the tightening bolts before attaching the shaft.

3. Mount hub on the shaft.
4. Tighten four bolts evenly distributed over the circumference by reduced torque (approx. 50 to 70 % of maximum tightening torque).
5. Afterwards tighten all tightening bolts uniformly, one by one, over several revolutions. Check the correct full tightening torque of all bolts by means of a torque wrench. When mounting shrink discs of type SDG, make sure that the outer ring faces remain parallel.

Dismounting

This is similar to mounting.

1. Loosen all locking bolts uniformly one by one, initially not more than a quarter turn per bolt, until it is observed that the outer ring has released from the inner ring.



Under no circumstances should the locking bolts be completely removed as this could be dangerous and result in injury.

2. Dismount shaft or draw off hub. Remove rust which may have formed on the shaft in front of the hub.
3. Remove shrink disc from hub.

Cleaning and greasing

Dismantled shrink discs do not have to be taken apart and regreased before remounting.

The shrink disc has to be cleaned and regreased only if employed in dirty environment.

Use a solid lubricant with a high content of MoS_2 and a coefficient of friction of $\mu=0,04$ for the conical surfaces. Usually a combination of bonded coating and paste is chosen.

Examples:

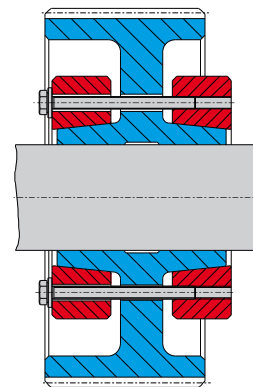
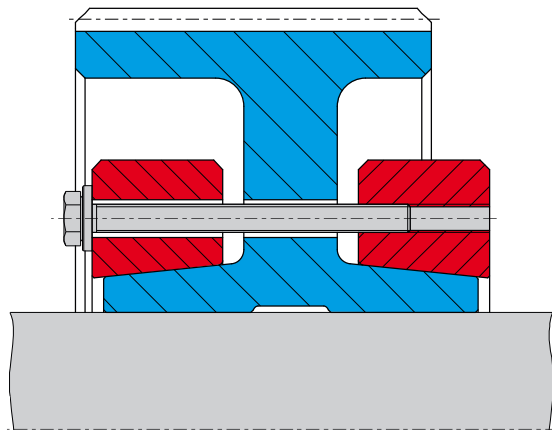
Lubricant	Source
Molykote D 321 R (bonded coating)	Dow Corning
Aema-Sol MO 84-K (bonding coating)	A.C. Matthes
Molykote G Rapid + (paste)	Dow Corning
Aema-Sol M 19 P (paste)	A.C. Matthes

The bolts have to be renewed if possible.

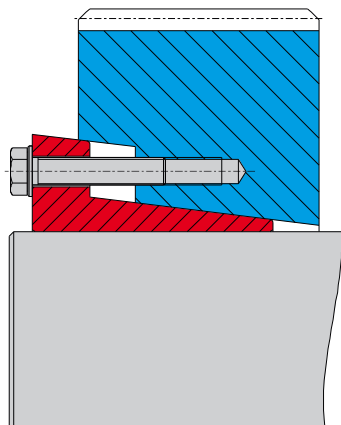
The bolts are lubricated with commercially available bolt lubricants ($\mu=0,1$).

Gearwheel

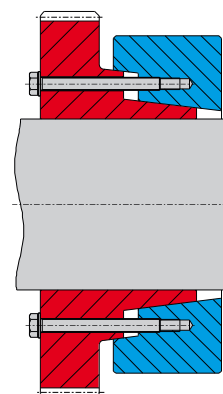
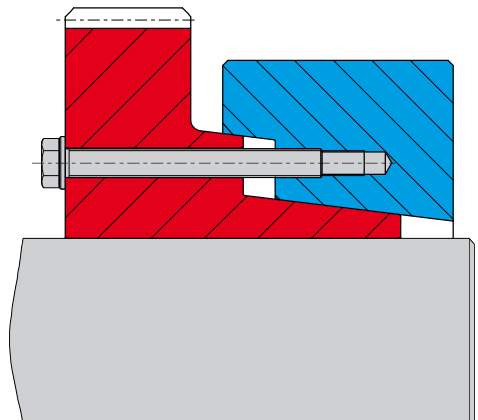
Combined with shrink disc
(Sold in gear including shrink discs)



ZSDG



ZSDA



ZSDI